

10/100 BASE-T TRANSFORMER

P/N:16ST8510 DATA SHEET

Feature

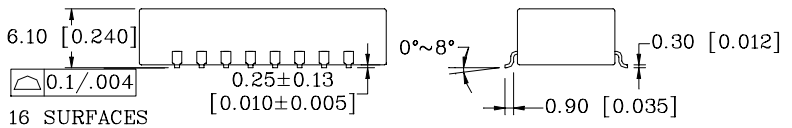
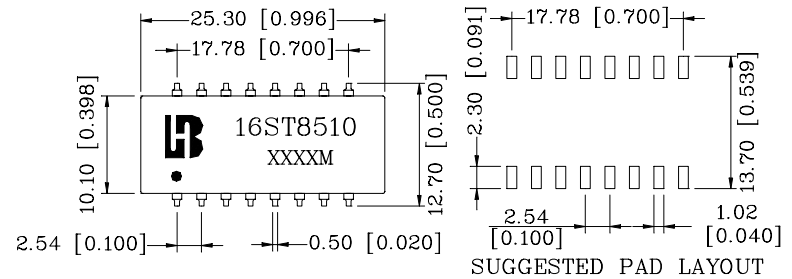
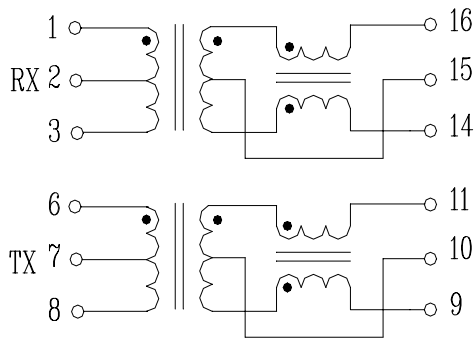


- Designed for 10/100 MB/s transmission over UTP-5 cable.
- Cable interface for isolation and low common mode emissions.
- 16-PIN SMD package for economic cost.
- Operating Temperature range: 0°C to +70°C.
- Storage temperature range: -25°C to +125°C.

Electrical Specifications @ 25°C											
Part Number	Turns Ratio (±5%)		OCL (uH Min) @ 100KHz/0.1Vrms with 8mA/DC Bias				Rise Time (nS Typ) 10-90%	HI-POT (Vrms)			
	TX	RX									
16ST8510	1CT:1CT	1CT:1CT	350				2.5	1500			
Continue											
Part Number	Insertion Loss (dB Max)	Return Loss (dB Min)					Cross talk (dB Min)		DCMR (dB Min) TX/RX		
		0.3-100 MHz	30MHz	40MHz	50MHz	60MHz	80MHz	0.3-60MHz	60-100MHz	30MHz	60MHz
16ST8510	-1.15	-16	-14	-13.5	-13	-12	-45	-35	-40	-30	-25

Schematic

Mechanical



Units: mm [Inches] Tolerances: xx.x0±0.25 [0.010]

0.xx±0.05 [0.002]